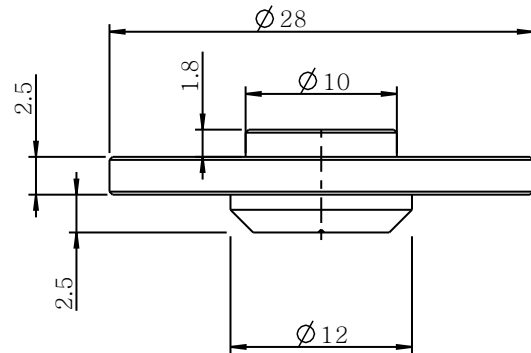
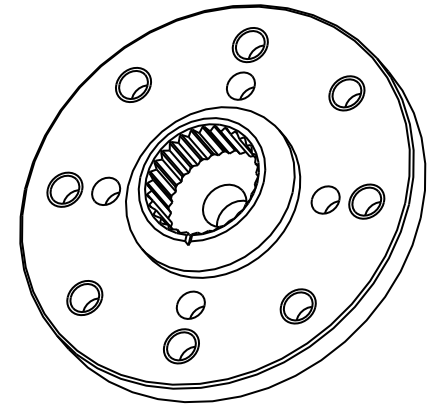
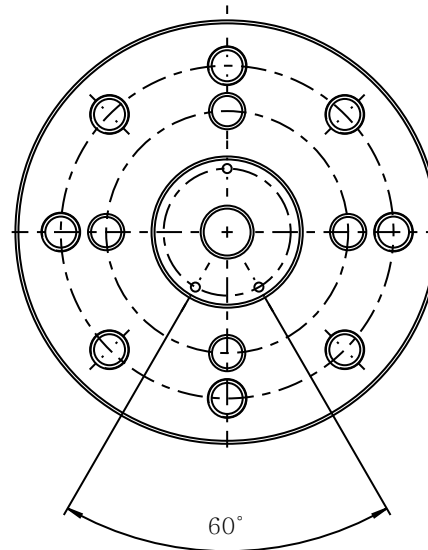
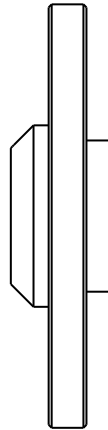
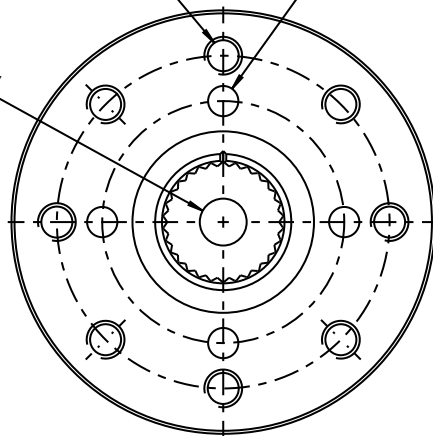


8- $\text{M}2.5$ TAP THRU
P.C.D $\text{Ø}22$

4- $\text{Ø}2$ HOLE THRU
P.C.D $\text{Ø}16$

$\text{Ø}3.1$



[FOR REFERENCE ONLY]

Title	HN05-T101	Material	AL	Scale	NONSCALE	Unit	mm	Sheet	1 of 1	ROBOTS
Date	12/01/2009									

A4